

BRASS FLOATING VALVE WITH THREADED TICKLER

OBJECTIVE

This product has as main objective the proportional cut of the fluid, as a function of the level of filling the tank or cistern where it is installed.

APPLICATIONS

The most common applications are: plumbing in general, water reservoirs for irrigation, tanks, cisterns, fire installations, sanitary water, and similar applications. For any application other than those indicated, please consult our technical department.

LEAK-TIGHTNESS SYSTEM

Unlike other products on the market, the floats of the brand PARETA are provided with three vital aspects to achieve high quality in their leak-tightness system: 1-Sealing between the thread of the body and the thread of the flange; 2-O-ring sealing between body and flange; 3- Sealing by flat seat between the body and the flange by means of sealant.

INSTALLATION

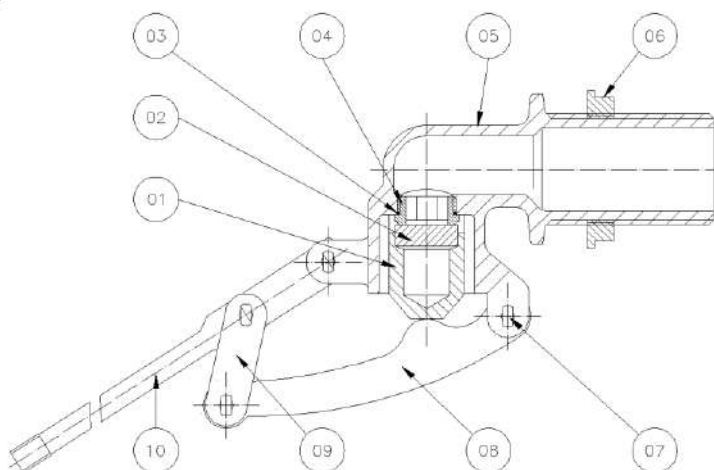
For correct operation, water or fluids must be free of lime and solid particles that may obstruct or damage the leak-tight parts of the floating valve.

The maximum pressures indicated in the table on the following page are theoretical and guiding and are calculated on the basis of a constant pressure. It is advisable to always work below 70% of the indicated maximum pressure.

Also, it is recommended that a pressure regulating valve be inserted *upstream* of the floating valve, thus ensuring that it always works at a stable and concrete pressure, which is absent from water hammer. Take the necessary precautions to prevent waves from forming inside the tank or cistern.

It is advisable to install a filter at the inlet of the pressure regulating valve.

The tank or cistern where the floating valve is installed must necessarily have an overflow to prevent flooding in case of any occurrence.



Nº	COMPONENT	MATERIAL	QUANTITY
10	Threaded tickler	Brass	1
09	Bone	Brass	2
08	Pole	Brass	1
07	Cotter pin	Brass	4
06	Endless nut	Brass	1
05	Body	Brass	1
04	Flange	P.T.F.E.	1
03	O-ring	N.B.R.	1
02	Gasket rubber	E.P.D.M.	1
01	Piston	Brass	1

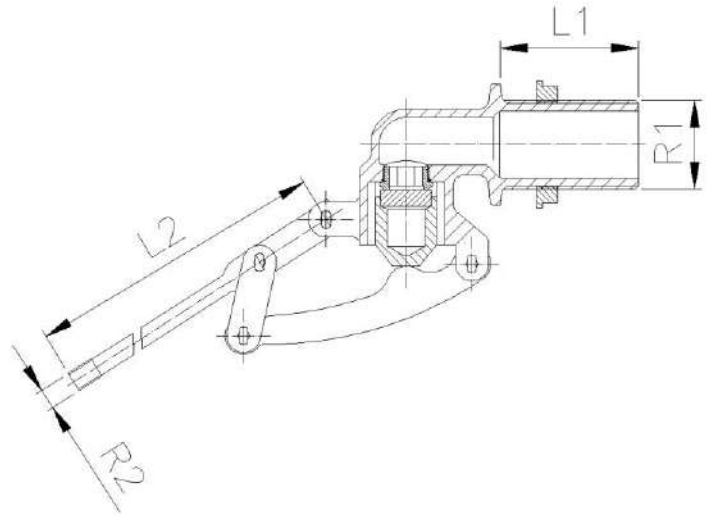
The brass of all the components complies with the Standards UNE-EN 12164, UNE-EN 12165 o UNE-EN 1982

Maximum Working Temperature: 80°C.

In order to extend the life of the floating valve, it's recommended that the constant working temperature is below of 50°C

BRASS FLOATING VALVE WITH THREADED TICKLER

TRADITIONAL MODEL OF FLOAT VALVE WITH THREADED TICKLER					
Reference	Thread R1	Thread R2	L1 mm	L2 mm	Maximum Pressure
5500700100	3/8"	3/16	35	200	8,94 bar
5500700200	1/2"	6/100	35	200	11,38 bar
5500700300	3/4"	7/100	40	240	10,79 bar
5500700400	1"	8/100	45	240	10,17 bar
5500700500	1"1/4	9/100	50	300	10,59 bar
5500700600	1"1/2	9/100	58	300	11,11 bar
5500700700	2"	9/100	70	380	11,87 bar



THEORETICAL CALCULATIONS OF MAXIMUM FLOWS AT CONSTANT PRESSURE:

PRESSURE FLOW	THREAD OF BODY						
	3/8"	1/2"	3/4"	1"	1"1/4	1"1/2	2"
Pressure (bar)	3	3	3	3	3	3	3
Flow (l/min)	64	114	257	457	714	1.029	1.828
Pressure (bar)	4	4	4	4	4	4	4
Flow (l/min)	74	132	297	528	824	1.187	2.110
Pressure (bar)	5	5	5	5	5	5	5
Flow (l/min)	83	147	332	590	922	1.328	2.360
Pressure (bar)	6	6	6	6	6	6	6
Flow (l/min)	91	162	364	647	1.010	1.455	2.586
Pressure (bar)	7	7	7	7	7	7	7
Flow (l/min)	98	174	393	698	1.091	1.571	2.792
Pressure (bar)	8	8	8	8	8	8	8
Flow (l/min)	105	186	420	747	1.166	1.679	2.985
Pressure (bar)	9	9	9	9	9	9	9
Flow (l/min)	111	189	445	791	1.237	1.781	3.165
Pressure (bar)	10	10	10	10	10	10	10
Flow (l/min)	117	208	469	835	1.304	1.878	3.338

The information contained in this sheet is not intended to be exhaustive. We can't be held responsible for the use of the product for an application other than the one specifically recommended, without obtaining previous written confirmation from us. By not having control over the quality or conditions of the substrate or other factors that affect the use or application of product, we don't accept any responsibility on the misbehaviour of the product unless we previously agree it in writing..

Please inspect and test our products before use or in order to confirm the characteristics and suitability. Nothing in this information constitutes a warranty, express or implied. The data in this data sheet are subject to change depending on our experience and our policy of continuous product development.