

STAINLESS STEEL CAPSULE PRESSURE GAUGES FOR LOW PRESSURES DN 63-100-150

Page 1

STAINLESS STEEL CAPSULE PRESSURE GAUGES FOR LOW PRESSURES DN 63-100-160

They are used for measure very low pressures in gases, in pressure and in vacuum, mainly in gases, between 600..0/0..600 mbar ranges.

Constructive and functional characteristics

Precision: Class 1,6 according to EN 837-3.

Ranges: -600..0 a 0..600 mbar or any other equivalent unit of pressure or vacuum, standard ranges according to EN 837-3. Double scale in mbar and mmH₂O

Ambient temperature: -20...+65 ° C.

Process fluid temperature: max. +65° C.

Temperature error:

Additional error when the temperature of the sensitive element turns aside of 20°C: ±0,5% of the value E.S. every 10°C.

Working Pressure:

Max. static pressure. 75% E.S.
Fluctuating pressure: 2/3 E.S.

Temporary overpressure:

+25% Maximum range value during a short time.

Outdoor grade of protection:

IP31 (indoor use).

Process connection: Lower connection 1/2" BSP

Process connection record: In Stainless steel AISI 316.

Capsule: Stainless Steel AISI 316.

Mechanism: Stainless Steel AISI 316.

Box: In Stainless steel, bayonet bezel.

Window: ABS 63 mm, Glass.100 & 150 mm

Pointer: in painted black aluminium.

Zero adjustment: by adjustment screw in the frontal side.

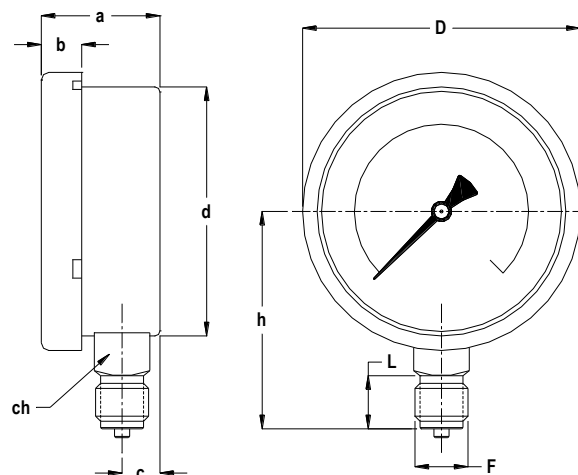


This publication does not try to establish the bases of a contract and the company keeps the right to modify without previous notice the design and the specifications of the instruments, in accordance with his politics of continued development.

**STAINLESS STEEL
CAPSULE PRESSURE GAUGES
FOR LOW PRESSURES DN 63-100-150**

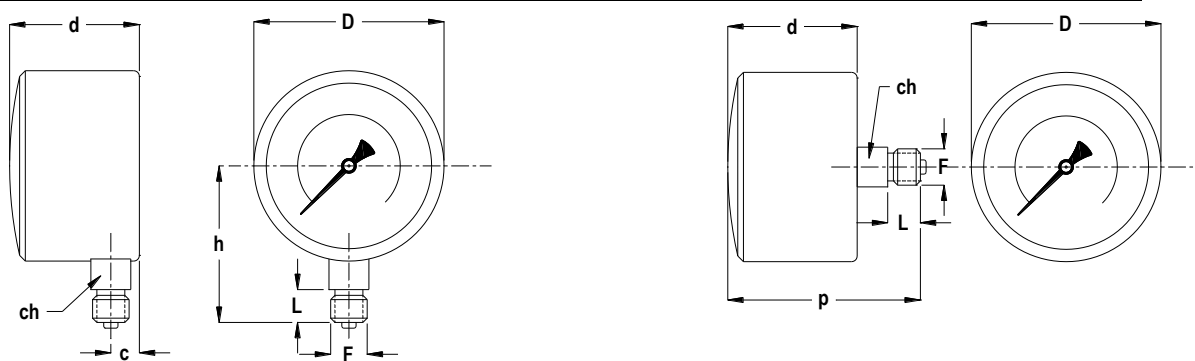
DIMENSIONS

inches
(mm)



TIPO 1
Montaje local
Toma de presión radial

DN	TIPO	a	b	c	ch	d	D	F	h	L
100	1	49	17	17	22x4	99	100	1/2" BSP	88	20
150	1	49	17	17	22x4	156	160	1/2" BSP	124	20



TYPE 1
Bottom connection

TYPE 2
Back Connection

DN	TIPO	c	ch	d	D	F	h	L	p
63	1	10	14x4	46	66	1/4BSP	55,3	13	
63	2		14x4	46	66	1/4BSP		13	68

This publication does not try to establish the bases of a contract and the company keeps the right to modify without previous notice the design and the specifications of the instruments, in accordance with his politics of continued development.