



ALL STAINLESS STEEL DIFFERENTIAL PRESSURE GAUGE WITH DOUBLE BOURDON TUBE Ø100

Ideal instrument to indicate the differential pressures of gaseous or liquid fluids that do not present a high viscosity, not crystallizable. Separators can be connected for cases where the process fluid is corrosive, high temperatures and high or crystallizable viscosities.

They are designed to measure the difference between two pressures, also indicating the pressure of one of them.

It is possible to manufacture both in brass measuring system, and totally in stainless steel.

Model 685 Stainless Steel AISI 316 wet parts



Constructive and functional characteristics

Accuracy class: 1,6% by Norm EN 837

Ambient temperature: -20°C +65° C,

Process temperature: max. +100 °C

Protection grade: IP55 by IEC 529

Thermal deviation: ±0,8% for each ±10° C respect ambient temperature 20°C

Process connection: AISI 316L

Bourdon tube: AISI 316 L,

Case: AISI 304.

Ring: AISI 304.

Window: Plexiglas 3 mm, or Security glass

Movement: Stainless Steel AISI 304

Dial face: lines and numbers black painted on White color film aluminum painted.

Especial dial faces: customer's Brand or different units can be made under demand.

Pointer: adjustable in Aluminum

RANGES

differential Pressure(bar)	Static pressure at both sides or + side (bar)	Static pressure at - side (bar)
0..1,6	2,5	2,5
0..2,5	4	4
0..4	6	6
0..6	10	10
0..10	16	16
0.. 16	25	25
0..25	40	40
0..40	60	60
0..60	100	100

This publication does not try to establish the bases of a contract and the company keeps the right to modify without previous notice the design and the specifications of the instruments, in accordance with his politics of continued development.

MEI Manometría e Instrumentación, s.l.

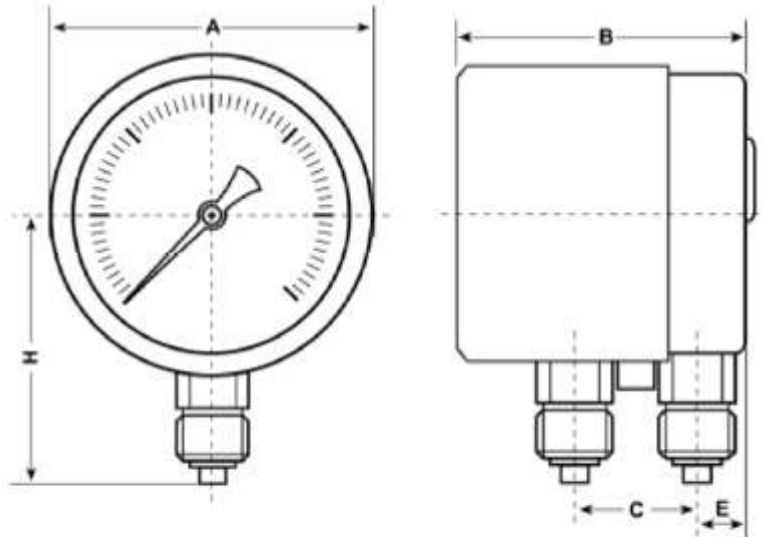
Pol. Ind. "Gelidense" 3, nave 19 E-08790 Gelida Barcelona

Tf. +34 937 083 110 Fax. +34 937 083 109 www.mei.es e-mail: comercial@mei.es



**DS-685
ALL SS
DIFFERENTIAL PRESSURE GAUGE
WITH DOUBLE BOURDON TUBE
Ø100**

Página 2



DIAL SIZE	A	B	H	C	E
4"	Ø102	80	95	32	16

This publication does not try to establish the bases of a contract and the company keeps the right to modify without previous notice the design and the specifications of the instruments, in accordance with his politics of continued development.

MEI Manometría e Instrumentación, s.l.

Pol. Ind. "Gelidense" 3, nave 19 E-08790 Gelida Barcelona

Tf. +34 937 083 110 Fax. +34 937 083 109 www.mei.es e-mail: comercial@mei.es