

APPLICATIONS

Used to install pressure gauges, cut-off valves, separator valves, siphons, sealing devices and other accessories.

Male-female connector

This type of connector is used to join pieces when one of the elements to be joined has a male thread and the other a female thread.

Self-sealing threaded junction bushings (SA)

They are used to adapt smaller thread connections to larger thread connections (e. g. G 1/4 to G 1/2).

By design, the coupling sleeves are self-sealing, so that the cone of the sleeve is integrated into the pressure line hole of the male connector of the measuring instrument. To protect against accidental detachment, the two threaded sections are fixed with a special adhesive.

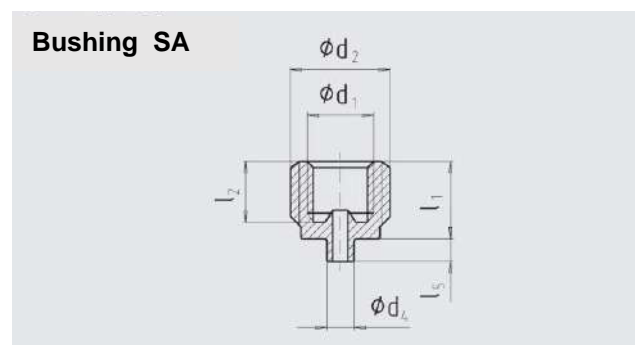
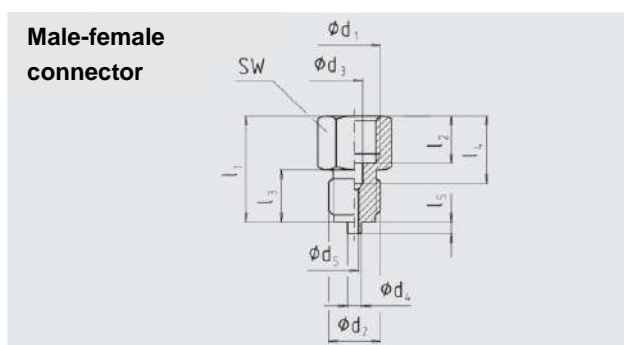


Fig. 1. Male-female connector, G 1/2 / G 1/4 B

MATERIALS

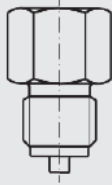
Male-female connector	Bushing SA
Brass	Brass
Stainless Steel AISI 316	Stainless Steel AISI 316

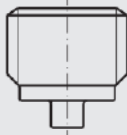
DIMENSIONS



This publication is not intended to be the basis of a contract and the company reserves the right to modify the design and specifications of the instruments without prior notice, in accordance with its policy of continuous development. **MEI Manometría e Instrumentación, s.l.**

OPTIONS

Model	Connection		Dimensions in mm									Material
	d ₁	d ₂	d ₃	d ₄	d ₅	l ₁ aprox.	l ₂ aprox.	l ₃ aprox.	l ₄ aprox.	l ₅ aprox.	SW	
Male-female connector 	G ¼	G ⅜ B	5,5	-	3	29	13	10	16,5	-	17	Brass
	G ¼	G ½ B	5,5	6	3,5	38	13	20	16,5	3	22	AISI 316
	G ¼	¼ NPT	5,5	-	3	30	13	13	16,5	-	17	Brass
	G ½	G ¼ B	7	5	3,5	41	19	13	24,5	2	27	AISI 316
	G ½	¼ NPT	7	-	3,5	43	19	13	24,5	-	27	AISI 316
	G ½	G ⅜ B	7	5,5	3,5	45	19	16	24,5	3	27	AISI 316
	G ½	½ NPT	7	-	3,5	44	19	19	24,5	3	27	AISI 316
	G ½	M20 x 1,5	7	6	3,5	46	19	20	24,5	3	27	AISI 316

Model	Connection		Dimensions in mm									Material
	d ₁	d ₂	d ₃	d ₄	d ₅	l ₁ aprox.	l ₂ aprox.	l ₃ aprox.	l ₄ aprox.	l ₅ aprox.	SW	
Bushing SA 	G ⅜	G ¼ B	-	5	-	14,5	11	-	-	2	-	Brass
	G ¼	G ⅜ B	-	5,5	-	19	15,5	-	-	3	-	Brass
	G ¼	G ½ B	-	6	-	19	15,5	-	-	3	-	Brass
	G ¼	G ½ B	-	6	-	19	15,5	-	-	3	-	AISI 316
	G ¼	½ NPT	-	-	-	19	15,5	-	-	-	-	AISI 316

This publication is not intended to be the basis of a contract and the company reserves the right to modify the design and specifications of the instruments without prior notice, in accordance with its policy of continuous development. **MEI Manometría e Instrumentación, s.l.**