

AIR COMPRESSOR PRESSURE SWITCH**Applications:**

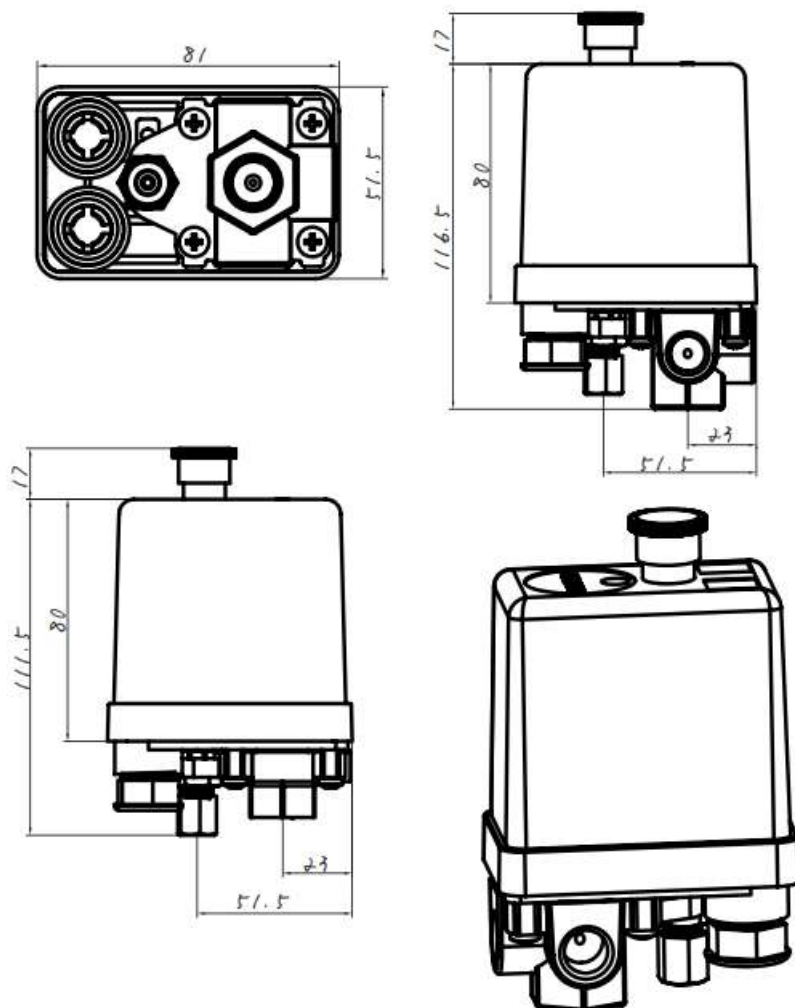
The 7116441500 pressure switch is a pressure-operated electric switch for use in regulating tank pressure between two preset values on electrically driven air compressors.

Specification:

| Media | Air |
|---------------------------------|---------------------------------|
| Operating Pressure Range | 3 bar – 12 bar |
| Factory Setting | 5,6 bar – 7,6 bar |
| Differential | 2 bar – 3 bar |
| Electrical Rating | 120 VAC, 20 A |
| Contact Arrangement | NC |
| Connection | 1/4 Gas Female (4 ports) |

This publication does not try to establish the contract basis and the company keeps the right to modify without previous notice the design and the specifications of the instruments, in accordance with his politics of continued development.

Dimensions in mm:



This publication does not try to establish the contract basis and the company keeps the right to modify without previous notice the design and the specifications of the instruments, in accordance with his politics of continued development.