

VALVES HOLDING MANOMETERS WITH AND WITHOUT PLATE

VALVES HOLDING MANOMETERS WITH AND WITHOUT PLATE

The pressure gauge holding valves are specially designed to isolate the pressure gauge from the pressure line to be measured, their construction by closing the needle allows the opening of the pressure inlet hole gradually helping to avoid water hammer

Platen valves allow the connection of a socket for the verification of the pressure gauge.

Constructive and functional characteristics

Maximum pressure: the valves are made and tested for a 100 bar maximum working pressure.

Raw Materials: the body and exes are made with brass, the handle is made with iron

Working Temperature: -40...+200 ° C.

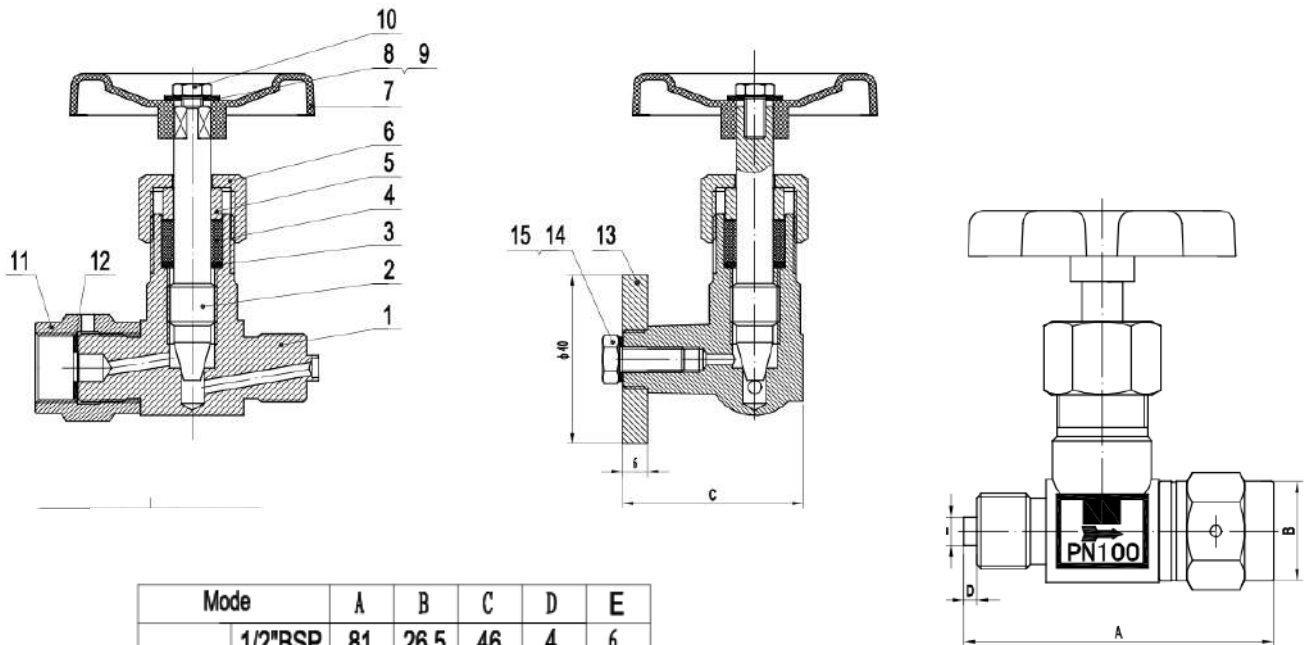
Pressure gauge connection: ¼" , 3/8 " ó ½ " BSP Female

Process connection: ¼" 3/8 " ó ½ " BSP Male



Esta publicación no pretende sentar las bases de un contrato y la empresa se reserva el derecho de modificar sin previo aviso el diseño y las especificaciones de los instrumentos, de acuerdo con su política de continuo desarrollo.

**VALVES HOLDING MANOMETERS WITH
AND WITHOUT PLATE**



Mode	A	B	C	D	E
1/2"BSP	81	26.5	46	4	6
3/8"BSP	67	21.5	42.5	2.5	6
1/4"BSP	61.5	16.5	42.5	2.5	5

number	name	material
1	body	Brass
2	exe	Brass
3	washer	Stainless steel
4	tow	PTFE
5	Tow-press	Brass
6	Tow-press nut	Brass
7	Handle	Red painted iron
8-9	Fixation washer	Stainless steel
9	Operation washer	Aluminum
10	Screw handle M5x10	Stainless steel
11	Body thread	Brass
12	washer	No asbestos
13	plate	Brass
14-15	Screw and washer M6x16	Stainless steel- cooper

Esta publicación no pretende sentar las bases de un contrato y la empresa se reserva el derecho de modificar sin previo aviso el diseño y las especificaciones de los instrumentos, de acuerdo con su política de continuo desarrollo.