

PRESSURE GAUGES WITH FILLING LIQUID DN 40, 50 & 63

Page 1

PRESSURE GAUGES WITH FILLING LIQUID DN 40, 50 & 63

Pressure gauges realized for his use in bombs, presses, compressors, turbines, diesel engines, in chemical and petrochemical industry and in facilities or plants with pulsating pressures and mechanical vibrations. They can be used by liquid or gaseous fluids that do not attack the alloy of copper, which do not present a high stickiness and which do not crystallize. They fulfill norm CE.

Constructive and functional characteristics:

Accuracy: Type 1,6 according to EN 837-1.

Ranges: -1..0 a 0..600 bar or any other equivalent unit of pressure or vacuum, standard ranges according to DIN 16 128.

Ambient temperature: -20...+65 ° C.

Process fluid temperature: Max. +65° C.

Temperature error:

Additional error when the temperature of the pressure element deviates from 20°C. +/-0,3 % every 10 °C of change.

Working pressure:

Steady: Max 75% of E.S.

Fluctuating: 2/3 of E.S.

Temporary overpressure: +25% ≤ 100 bar scales.
+15% for > 100 bar scales.

Protection degree: IP 65 as per IEC 529.

Process connection racord: In brass.

Elastic element: Phosphoric bronze. In "C" for ≤ 40 bar scales. In spiral for >40 bar scales.

Case: In AISI 304.

Bezel: Roll formed, in AISI 304.

Window: clear plastic 4 mm thickness.

Movement: In brass.

Pointer: Painted black aluminium.

Window gasket, filling plug and blow out went: in EPDM.

Liquid: Glycerine 98%.



Optional extras:

Tin-silver welding.

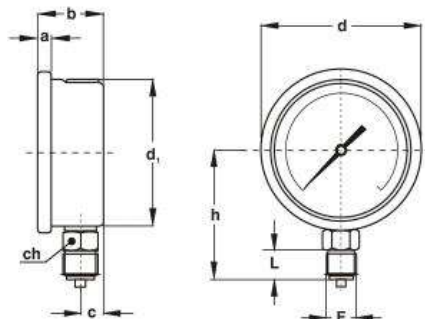
Glass window.

Special connections.

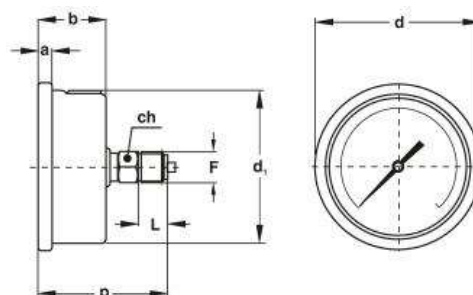
This publication does not try to establish the bases of a contract and the company keeps the right to modify without previous notice the design and the specifications of the instruments, in accordance with his politics of continued development.

**PRESSURE GAUGES WITH FILLING LIQUID
DN 40, 50 & 63**

DIMENSIONS
(mm)

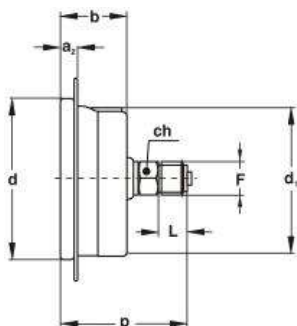


TYPE 1
Local assembly
Lower pressure entry

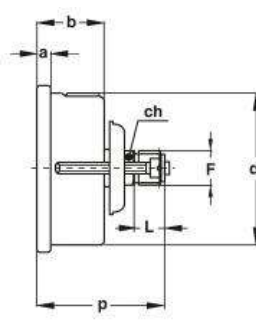
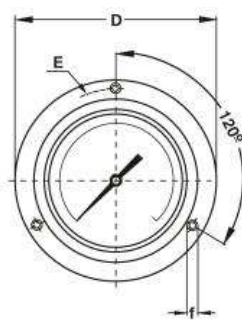


TYPE 2
Local assembly
Back pressure entry

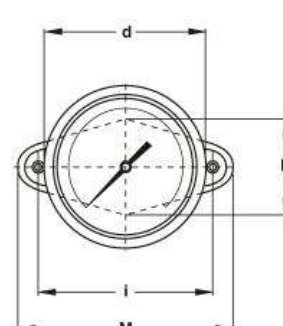
DN	TIPO	a	b	c	ch	d	d1	F	h	L	p
63	1	6,2	29	10	14	68	61,5	1/4BSP	55,5	13	
63	2	6,2	29		14	68	61,5	1/4BSP		13	54
50	1	6,2	29	10	14	57,5	51,5	1/4BSP	50,5	13	
50	2	6,2	29		14	57,5	51,5	1/4BSP		13	54
40	1	5,6	26,5	8	11	47	41	1/8BSP	39,5	10	
40	2	5,6	26,5		11	47	41	1/8BSP		10	45,5



TYPE 4
Panel assembly
Lower pressure entry
With frontal flange



TYPE 6
Panel assembly
Back pressure entry
With clamp



DN	TYPE	a	a ₂	b	ch	D	d	d1	F	L	p	E	f	i	M	N
63	4		7,5	29	14	86		61,5	1/4BSP	13	54	75	3,6			
63	6	6,2		29	14		68	61,5	1/4BSP	13	54			72	90	38
50	4		7,5	29	14	71		51,5	1/4BSP	13	54	60	3,6			
50	6	6,2		29	14		57,5	51,5	1/4BSP	13	54			67	71	30
40	4		6,9	26,5	11	61		41	1/8BSP	10	45,5	51	3,6			
40	6	5,6		26,5	11		47	41	1/8BSP	10	45,5			46	57	24

This publication does not try to establish the bases of a contract and the company keeps the right to modify without previous notice the design and the specifications of the instruments, in accordance with his politics of continued development.