

## PRESSURE GAUGE GLYCERIN FILLED DN 100 & DN 150

### PRESSURE GAUGE GLYCERIN FILLED DN 100 & DN 150 CL. 1.6%

Pressure gauges made for use in pumps, presses, compressors, turbines, diesel engines, in the chemical and petrochemical industry and in installations or plants with pulsating pressures and mechanical vibrations. They can be used with liquid or gaseous fluids that do not attack the copper alloy, do not have a high viscosity and do not crystallize. According to the standard EN-837-1 and CE regulations.

**Accuracy:**

Cl. 1,6 ( $\pm 1,6\%$  VFE s/ EN 837-1PT. 6)

**Standard ranges:**

-1/0, 0/0.6, 0/1, 0/1.6, 0/2.5, 0/4, 0/6,  
0/ 10, 0/16, 0/25, 0/40, 0/60, 0/100,  
0/160, 0/250, 0/315, 0/400, 0/600.

**Maximum working pressure:**

Static: 75% of the full-scale value.

Dynamics: 66% of the full-scale value.

Short interval: Full scale.

**Maximum temperatures:**

Ambient: -20..+60°C

Fluid: -20..+60°C

Storage : -40..+70°C

**Temperature effect:**  $\pm 0,04 \times (t_2 - t_1) \% \text{ VFE}$ .

**Process connection:** 1/2" GAS in Cu alloy.

**Measuring element in Cu alloy:**

Form:

$\leq 40$  bar C form

$\geq 60$  bar spiral form

**Movement:** Cu alloy.

**Cover:** White aluminium, black figures, pointer stop in.

**Pointer:** black aluminium.

**Case and bezel:** stainless steel.

**Window:** Polycarbonate

**Admissible overpressure:**

$< 100$  bar 1,25xVFE.

$\geq 100$  bar 1,15xVFE.

**Pressure of explosion:**

$< 100$  bar 3xVFE.

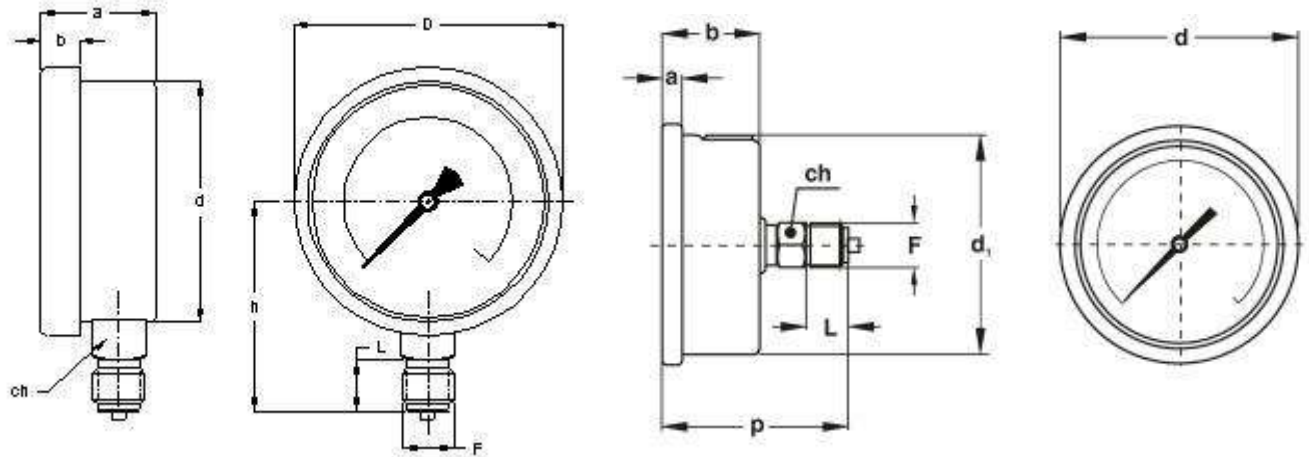
$\geq 100$  bar 2xVFE.



This publication does not try to establish the bases of a contract and the company keeps the right to modify without previous notice the design and the specifications of the instruments, in accordance with his politics of continued development.

**PRESSURE GAUGE GLYCERIN FILLED  
DN 100 & DN 150**

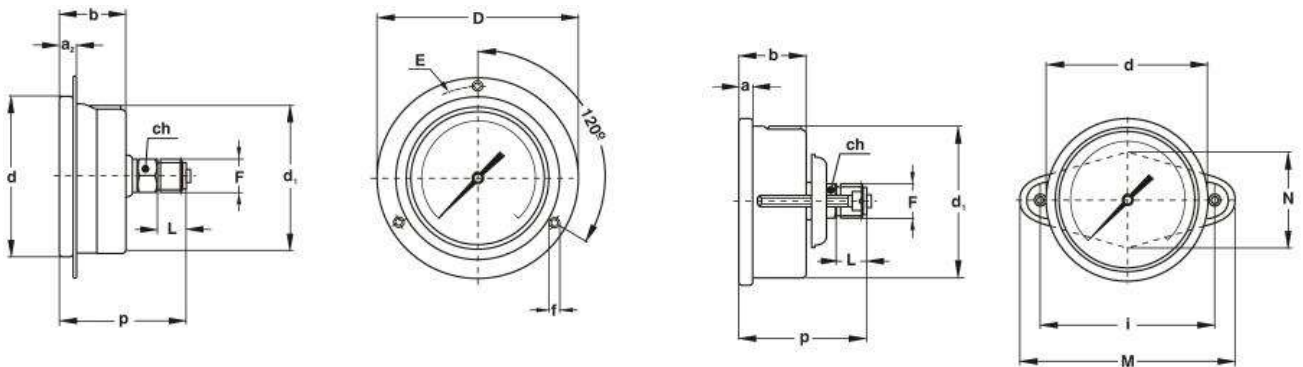
**DIMENSIONS**  
(mm)



**TYPE 1**

Local assembly  
Radial pressure intake

DN	TYPE	a	b	ch	d	D	F	h/p	L
100	1	36	8,5	22x6	98,5	108,7	1/2" BSP	82	20
100	2	36	8.5	22x6	98.5	108.7	1/2" BSP	78	20
150	1	50,7	18.5	22x6	148,7	160	1/2" BSP	118	20



DN	TYPE	D	E	f	d	M	F	i	N	p
100	4	132	115	5.5	98.5		1/2" BSP	123	35	78
100	6				98.5	136.7	1/2" BSP	123	35	78

This publication does not try to establish the bases of a contract and the company keeps the right to modify without previous notice the design and the specifications of the instruments, in accordance with his politics of continued development.