

GLYCERIN PRESSURE GAUGE DN 40, 50 & 63

GLYCERIN PRESSURE GAUGE DN 40, 50 & 63 WITH DOUBLE RANGE BAR & PSI

Pressure gauges made for use in pumps, presses, compressors, turbines, diesel engines, in the chemical, petrochemical industry and in installations or plants with pulsating pressures and mechanical vibrations. They can be used with liquid or gaseous fluids that do not attack the copper alloy, do not have a high viscosity, and do not crystallize.

They are reliable and economical and manufactured according to EN-837-1. They comply with CE standards, pressure equipment directive 2014/68 / UE, PS> 200 bar; module A, pressure accessory.

Constructive and functional characteristics:

Accuracy: 1,6% according to EN 837-1.

Ranges: -1..0 to 0..600 bar or any other equivalent unit of pressure or vacuum, standard ranges according to DIN 16 128.

Room temperature: -20...+65 ° C.

Process fluid temperature: Max. +65° C.

Temperature error:

Additional error when the temperature of the pressure element deviates from 20°C. +/-0,3 % every 10 °C of change.

Working pressure:

Steady: Max 75% of E.S.
Fluctuating: 2/3 of E.S.

Temporary overpressure: +25% ≤ 100 bar scales.
+15% for □ 100 bar scales.

Protection degree: IP 65 as per IEC 529.

Process connection fitting: In brass.

Tubular spring: Phosphoric bronze. In "C" for ≤ 40 bar scales. In spiral for >40 bar scales.

Case: in stainless steel AISI 304.

Bezel: Roll formed, in AISI 304.

Window: clear plastic 4 mm thickness.

Movement: In brass.

Pointer: Painted black aluminum.

Sealing gasket, filling plug and safety cap: in EPDM.

Liquid: glycerin 98%.



Other options:

Tin-silver welding
Glass window.
Special connections.

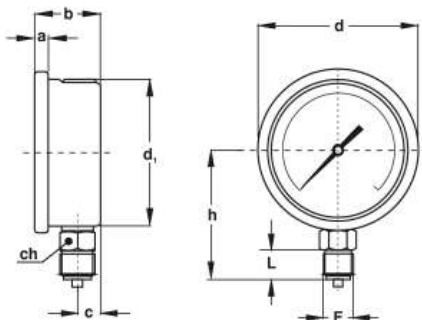
This publication does not try to establish the bases of a contract and the company keeps the right to modify without previous notice the design and the specifications of the instruments, in accordance with his politics of continued development.

**GLYCERIN PRESSURE GAUGE
DN 40, 50 & 63**

**DIMENSIONS
(mm)**

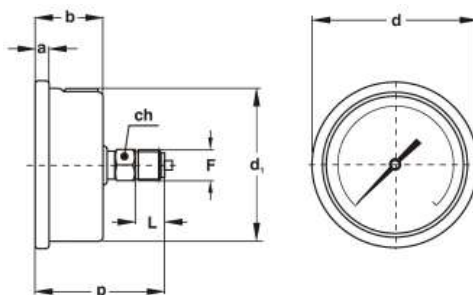
TYPE 1

Local assembly
Lower pressure entry

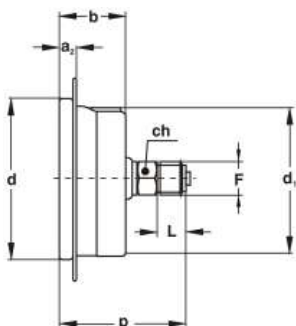


TYPE 2

Local assembly
Back pressure entry

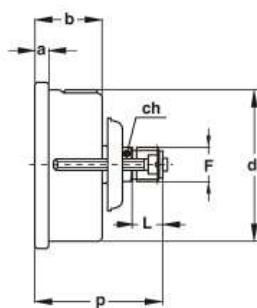
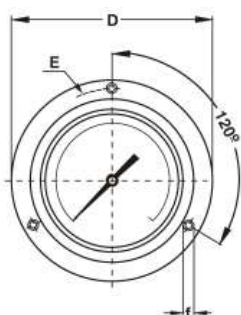


DN	TYPE	a	b	c	ch	d	d1	F	h	L	p
63	1	6,2	29	10	14	68	61,5	1/4BSP	55,5	13	
63	2	6,2	29		14	68	61,5	1/4BSP		13	54
50	1	6,2	29	10	14	57,5	51,5	1/4BSP	50,5	13	
50	2	6,2	29		14	57,5	51,5	1/4BSP		13	54
40	1	5,6	26,5	8	11	47	41	1/8BSP	39,5	10	
40	2	5,6	26,5		11	47	41	1/8BSP		10	45,5



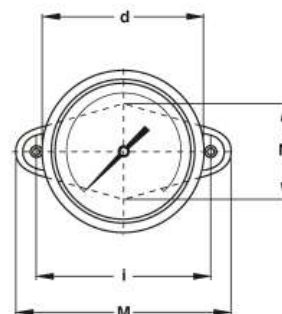
TYPE 4

Panel assembly
Lower pressure entry
With frontal flange



TYPE 6

Panel assembly
Back pressure entry
With camp



DN	TYPE	a	a ₂	b	ch	D	d	d1	F	L	p	E	f	i	M	N
63	4		7,5	29	14	86		61,5	1/4BSP	13	54	75	3,6			
63	6	6,2		29	14		68	61,5	1/4BSP	13	54			72	90	38
50	4		7,5	29	14	71		51,5	1/4BSP	13	54	60	3,6			
50	6	6,2		29	14		57,5	51,5	1/4BSP	13	54			67	71	30
40	4		6,9	26,5	11	61		41	1/8BSP	10	45,5	51	3,6			
40	6	5,6		26,5	11		47	41	1/8BSP	10	45,5			46	57	24

This publication does not try to establish the bases of a contract and the company keeps the right to modify without previous notice the design and the specifications of the instruments, in accordance with his politics of continued development.