

## GLYCERIN REFRIGERATION PRESSURE GAUGE DN 63

Pressure gauges realized for use in refrigeration industry with pulsating pressures and mechanical vibrations. They can be used by liquid or gaseous fluids that do not attack the alloy of copper, which do not present a high stickiness and which do not crystallize. They fulfill norm CE.

### Constructive and functional characteristics:

**Accuracy:** Type 1,6 according to EN 837-1.

**Ranges:** -1/+12 bar -1/+25 bar with double bar and temperature of refrigerant gases scale. R404a, R407C, R507, R22.

-1/+10 bar, -1/+30 bar, -1/36 bar and -1/+54 bar with double bar and temperature of refrigerant gases scale R410, R134, R407 and R22.

**Ambient temperature:** -20...+65 ° C.

**Process fluid temperature:** Min -45°C, Max. +85° C.

### **Temperature error:**

Additional error when the temperature of the pressure element deviates from 20°C. +/-0,3 % every 10 °C of change.

### **Working pressure:**

Steady: Max 75% of E.S.

Fluctuating: 2/3 of E.S.

**Temporary overpressure:** +25% ≤ 100 bar scales.

+15% for > 100 bar scales.

**Protection degree:** IP 65 as per IEC 529.

**Process connection racord:** In brass.

**Elastic element:** Phosphoric bronze. In "C" for ≤ 40 bar scales. In spiral for >40 bar scales.

**Case:** In AISI 304.

**Bezel:** Roll formed, in AISI 304.

**Window:** clear plastic 4 mm thickness.

**Movement:** In brass.

**Pointer:** Painted black aluminium.

**Window gasket, filling plug and blow out went:** in EPDM.

**Liquid:** Glycerine 98%.



### **Optional extras:**

Another scale of refrigerant gases.

Special connections like 7/16SAE, 1/4"NPT...

Back flange for vertical pressure gauge.

This publication does not try to establish the bases of a contract and the company keeps the right to modify without previous notice the design and the specifications of the instruments, in accordance with his politics of continued development.

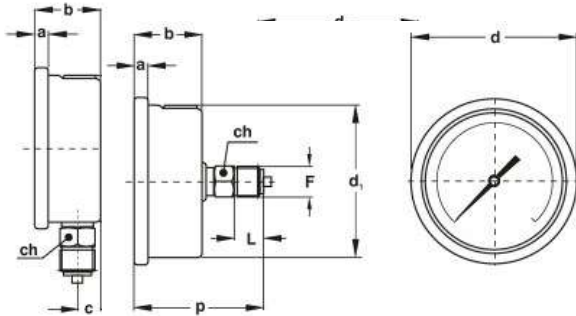
**MEI Manometría e Instrumentación, s.l.**

**Pol. Ind. "Gelidense" 3, nave 19 E-08790 Gelida - Barcelona**

**Tf. +34 937083 110 Fax. +34 937 083 109**

**www.mei.es e-mail: info@mei.es**

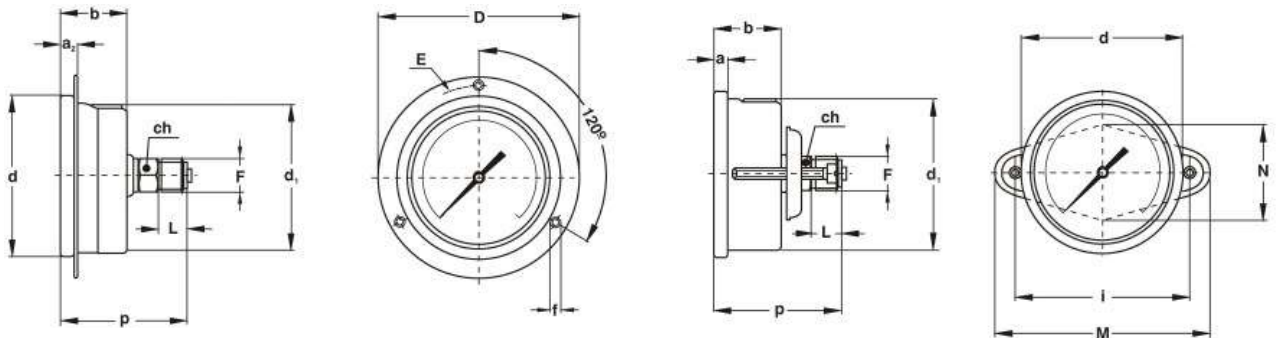
**DIMENSIONS  
(mm)**



**TYPE 1**  
Local assembly  
Lower Pressure entry

**TYPE 2**  
Local assembly  
Back Pressure entry

DN	TYPE	a	b	c	ch	d	d1	F	h	L	p
63	1	6,2	29	10	14	68	61,5	1/4BSP	55,5	13	
63	2	6,2	29		14	68	61,5	1/4BSP		13	54



**TYPE 4**  
Panel assembly  
Back Pressure entry  
With frontal flange

**TYPE 6**  
Panel assembly  
Back Pressure entry  
With clamp

DN	TYPE	a	a <sub>2</sub>	b	ch	D	d	d1	F	L	p	E	f	i	M	N
63	4		7,5	29	14	86		61,5	1/4BSP	13	54	75	3,6			
63	6	6,2		29	14		68	61,5	1/4BSP	13	54			72	90	38

This publication does not try to establish the bases of a contract and the company keeps the right to modify without previous notice the design and the specifications of the instruments, in accordance with his politics of continued development.