

ISOMETRIC GLYCERINE PRESSURE GAUGE DN 63/100 CL. 1.6% IN WORKING AREA

Page 1

ISOMETRIC PRESSURE GAUGE GLYCERINE Ø63&100 CL1,6% IN GREEN ZONE.

Pressure gauge made for fumigation machinery, pumps and installations or plants with fluctuating pressures and mechanical vibrations. They can be used with liquid or gaseous fluids that do not attack the cooper alloy, which do not have a high viscosity and do not crystallize. They fulfill norm CE and EN-837-1.

Specially made to support high pressures and offer a reliable and amplified reading in the green zone or working area. They fulfill the current agricultural regulations.

Accuracy:

Type 1,6 (±1,6% E.S. according to EN 837-1PT.6) for Green area.

Standard ranges:

0/25bar and 0/60bar

Working Pressure:

Steady: Yellow area.

Fluctuating: Green area.

For a short interval they can be working on the end of the scale (red area).

Max. Temperature:

Ambient: -20..+60°C

Fluid: -20..+60°C

Storage : -40..+70°C

Temperature effect: ±0,04x(t₂-t₁)% E.S.

Process connection: ¼" Ø63. ¼" & ½" Ø100. In Cu alloy.

Element of measurement in Cu alloy:

Form:

≤ 60 bar C form.

Movement: Cu alloy.

Cover: White aluminium, black figures, pointer stop in.

Pointer: Black aluminium.

Case and bezel: Stainless steel.

Windows: Polycarbonate

Admissible overpressure:

< 100 bar 1,00xE.S..

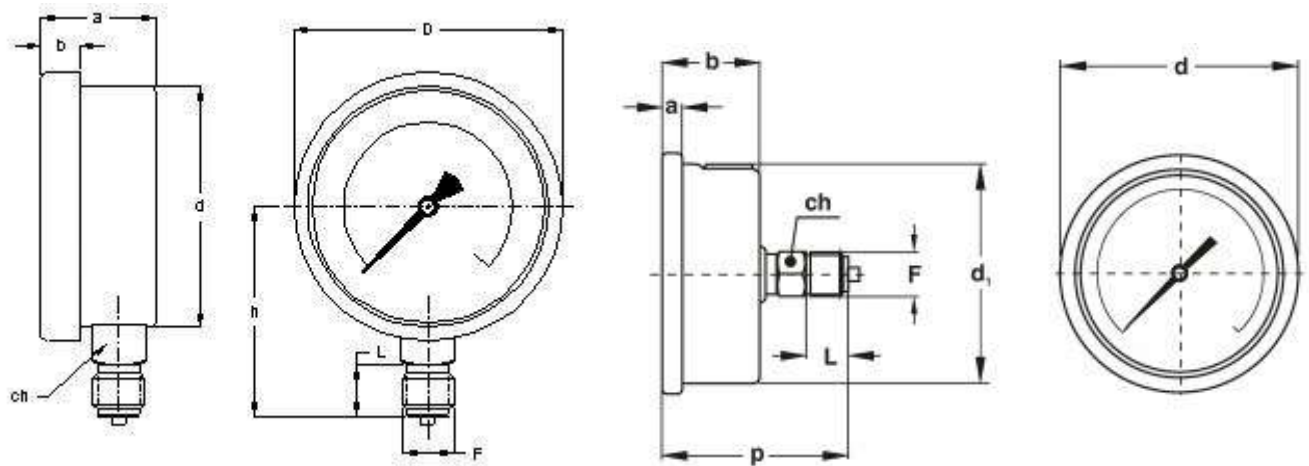
Pressure of explosion: <100 bar 3xE.S.



This publication does not try to establish the bases of a contract and the company keeps the right to modify without previous notice the design and the specifications of the instruments, in accordance with his politics of continued development.

**ISOMETRIC GLYCERINE PRESSURE GAUGE
DN 63/100 CL. 1.6% IN WORKING AREA**

DIMENSIONS
(mm)



TYPE 1

Local assembly
Lower Pressure entry.

DN	TIPO	a	b	ch	d	D	F	h	L
63	1	29	6,2	14x4	61,5	68	¼" BSP	55,5	13
100	1	47	15	22x4	100	110	½" BSP	72	20

This publication does not try to establish the bases of a contract and the company keeps the right to modify without previous notice the design and the specifications of the instruments, in accordance with his politics of continued development.