

**ALL STAINLESS STEEL CONSTRUCTION PRESSURE GAUGE DN 100 & 150**



Instruments realized for the food industry, beverage, pharmacist, petrochemical, conventional and nuclear power plants, adapted to resist the most adverse work conditions derivatives of the aggressiveness of the process fluid and of the ambient environment, whenever the fluid neither presents a high stickiness nor crystallizes.

The quality of the materials used for the sensitive element, withstand his installation in the presence of pressures pulsating and high dynamics.

An Argonarc TIG welding strengthen the whole construction and a leak tight fit is ensured.

The filled liquid damps the oscillations of the pointer, reduces the wear of the parts in movement, avoids the entry of corrosive gases and the formation of condensation inside the manometer, being therefore a suitable solution to use in facilities with presence of vibrations and improving the resistance to the pulsating pressures.



**Constructive and functional characteristics:**

**Standard type**

**Accuracy:** Type 1 according to EN 837-1. ( $\pm 1,0\%$  E.S.)  
**Ambient temperature:**  $-40...+65^{\circ}\text{C}$ .  
**Process fluid temperature:**  $-40...+200^{\circ}\text{C}$ .  
**Project temperature:** max.  $+400^{\circ}\text{C}$ .  
**Working pressure:**  
 Steady: Max 100% of E.S.  
 Fluctuating: 90% of E.S.  
**Temporal overpressure:** 30% of E.S.  
**Special overpressure:** 50% of E.S for  $\leq 400$  bar (max 1 hour)  
**Protection degree:** IP 67 as per IEC 529.  
**Process connection:** In AISI 316.  
**Elastic element:** In AISI 316 seamless tube.  
**Welding:** AISI 316 TIG Argonarc.  
**Case:** in AISI 304.  
**Bezel:** bayonet AISI 304.  
**Windows:** security glass.  
**Movement:** Stainless steel with internal limit stops for minimum and maximum pressure (reinforced on DN 150).  
**Dial:** Aluminium, white with black marking and an arrow symbol at the edges of the scale value.  
**Special dials:** Ranges different from standard, or custom artwork, available on request.  
**Pointer:** Aluminium, micrometric adjustable.  
**Gasket, blow out vent and filling plug:** EPDM.

**Filled liquid type**

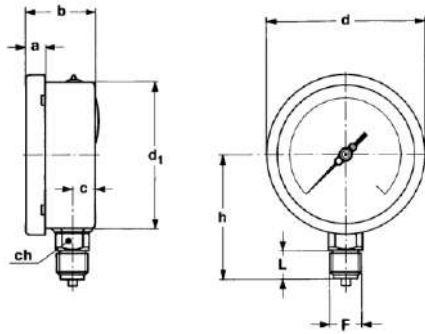
**Ambient temperature:** max.  $65^{\circ}\text{C}$  depending on filled liquid.  
**Process fluid temperature:** Max.  $+65^{\circ}\text{C}$ .  
**Protection degree:** IP 67 as per IEC 529.  
**Filling liquid:** Glycerine 98%.  
**Other features:** As standard type.

**Optional extras:**

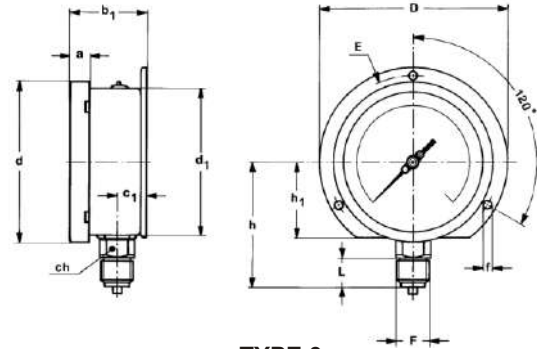
Electrical contacts  
 MONEL 400 pressure system  
 Silicone filled.  
 Security glass

This publication does not try to establish the bases of a contract and the company keeps the right to modify without previous notice the design and the specifications of the instruments, in accordance with his politics of continued development.

**TYPES AND DIMENSIONS**



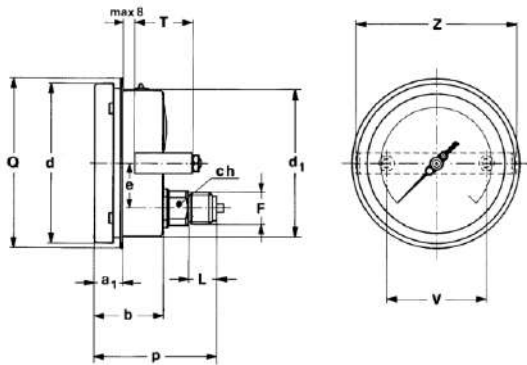
**TYPE 1**  
Local direct assembly  
Lower pressure entry



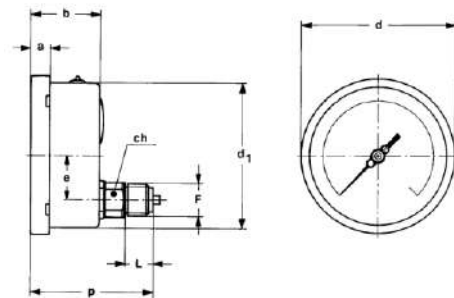
**TYPE 3**  
Panel assembly  
Lower pressure entry and clamp

Ø	TYPES	F	a	b	b <sub>1</sub>	c	c <sub>1</sub>	d	d <sub>1</sub>	f	h <sub>1</sub>	D	E	ch	h	L
100	1 & 3	1/2" Gas or NPT	0.67" (17)	1.91" (48,5)	1.99" (50,6)	0.67" (17)	0.75" (19,1)	3.95" (100)	3.87" (98,3)	0.24" (6)	2.05" (52)	5.12" (130)	4.65" (118)	0.87" (22)	3.27" (83)	0.77" (19,5)
150	1 & 3	1/2" Gas or NPT	0.69" (17,5)	1.95" (49,5)	1.97" (50)	0.67" (17)	0.67" (17,1)	6.34" (161)	5.91" (150)	0.24" (6)	3.35" (85)	7.48" (190)	6.89" (175)	0.87" (22)	4.45" (113)	0.77" (19,5)

Dimensions in inches (mm)



**TYPE 6**  
Panel assembly  
With clamp and back pressure entry.



**TYPE 2**  
Local direct assembly  
With back pressure entry.

DN	TYPES	F	a	a <sub>1</sub>	a <sub>2</sub>	b	d	d <sub>2</sub>	e	f	D	E	Q	T	V	Z	ch
100	2, 4 & 6	1/2" Gas or NPT	0.69" (17,5)	0.79" (20)	0.79" (20)	1.95" (49,6)	3.98" (101)	3.90" (99)	1.18" (30)	0.24" (6)	5.20" (132)	4.65" (118)	4.41" (112)	1.63" (41,5)	2.76" (70)	4.41" (112)	0.87" (22)
150	2, 4 & 6	1/2" Gas or NPT	0.69" (17,5)	0.81" (20,5)	1.00" (25,5)	1.95" (49,5)	6.34" (161)	5.91" (150)	1.97" (50)	0.24" (6)	7.48" (190)	6.89" (175)	6.46" (164)	1.63" (41,5)	4.17" (106)	6.10" (155)	0.87" (22)

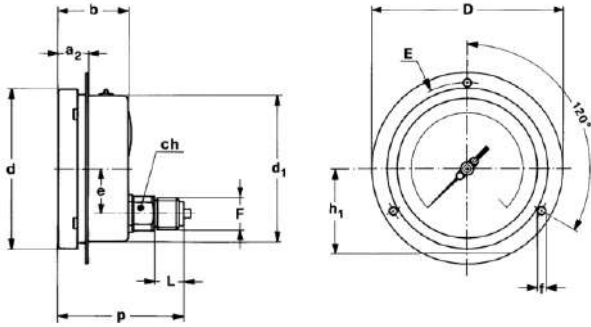
Dimensions in inches (mm)

This publication does not try to establish the bases of a contract and the company keeps the right to modify without previous notice the design and the specifications of the instruments, in accordance with his politics of continued development.

**TYPE 4**

Panel assembly

With frontal flange and back pressure entry.



Liquid	Ambient temperature
Glycerine 98%	+15..+ 65°C
Silicone	- 45..+ 65°C

This publication does not try to establish the bases of a contract and the company keeps the right to modify without previous notice the design and the specifications of the instruments, in accordance with his politics of continued development.