

Digital Pressure Gauge (Battery Powered)

3305 Series

Features

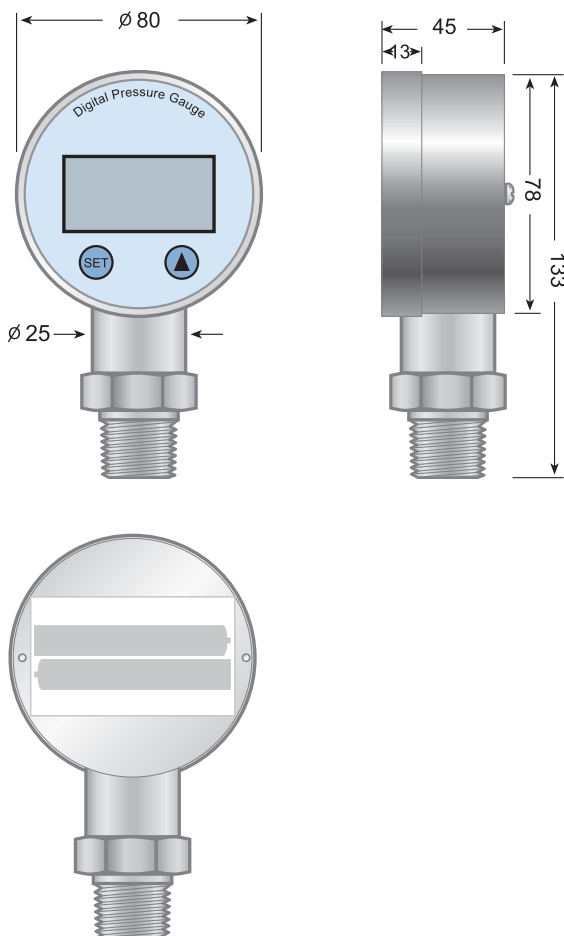
Fully stainless steel-diaphragm isolation structure,
Easy to clean, easy to replace the battery
Excellent anti-vibration and anti-impact performance,
Excellent stability,
3-5 times' life compares to the mechanical pressure gauge.

Application

Mainly used in the petroleum, chemical industry, drugs manufacturing, drinks equipment, water treatment, food machinery process pressure surveys and controls etc.



Dimension



Specification

Ranges: 0-1000 bar
Accuracy: $\pm 0.5\%$, 0.25%
Operating Temp: -10 to 60°C (14 to 140°F)
Storage Temp: -20° to 70°C (-4 to 158°F)
Battery Life: 10000 hours
Wetted Materials: 316 SS
Case Size: 80mm
Case Protection Class: Weatherproof, IP65
Socket Size: Standard $1/4"$, $1/2"$, $3/8"$ BSP, NPT, BSPT
Display: 4-digit LCD
Measuring fluid: Air and liquid
Battery: Lithium Battery (3 V)
Life Time of Battery: One and a half years
Indication Method: 4 figures LCD digital Indication.
Net Weight: About 457g (Battery Included)

Battery Replacement

Replace the Gauge's Battery, use a cross screwdriver to remove the two screws from the back plate of the gauge. Unplug the battery cable from the terminals. Put a new battery into the holder, ensuring that it is firmly in place. Make sure that polarity is correct. Install the cover firmly in place.

RESET

SET: Allows for recalibration of zero
"▲": On/Off (Pressure for 3 seconds)

How to Order

| | | | | |
|------|--------------------------|--|--|--------------------------|
| 3305 | - Accuracy | - Thread | - Range | - Pressure unit |
| | 0.25: 0.25% 0.5: 0.5% | 1/2" BSP 1/4" BSP 3/8" BSP 1/2" NPT 1/4" NPT 3/8" NPT x: other | Pressure value 4 Digit maximum From 0-1bar to 0-1000bar | bar psi MPa kPa |